



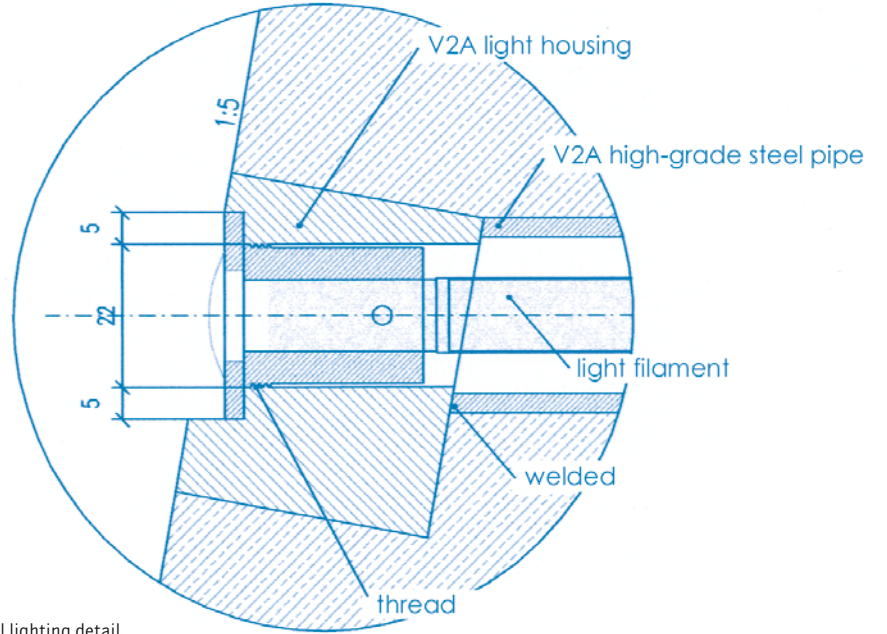
Watercourse at Herne-Sodingen Academy



Water cascades on the terraces show interesting flow phenomena, developed in experiments in the workshop.



Plan showing the water fissure and academy pools



Pool wall lighting detail



Section through a water outlet

