

Figure 4.2 Sitting dimensions detail.

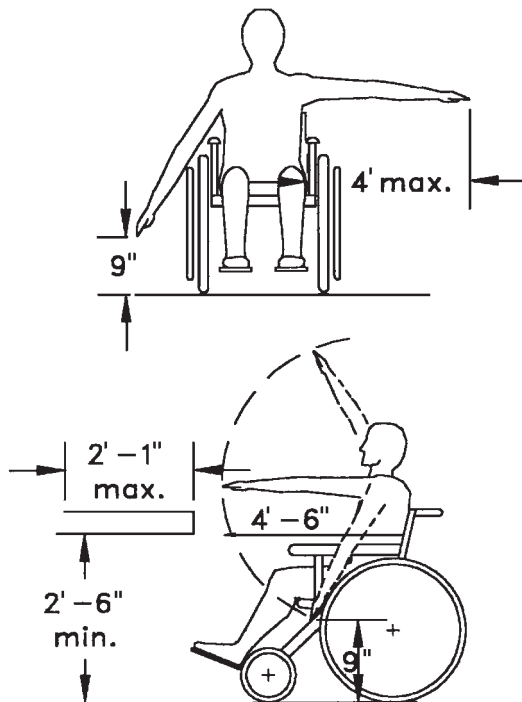


Figure 4.3 Wheelchair use dimensions detail.